

Please copy application form, assemble your grid and send by fax to: +49 (0) 23 54 - 94 45-299
 (Application form also available by download at www.mohn-gmbh.com)

Pasteurization – drip-off grids, type RPF4

Made of stainless steel 1.4301

- Solid and hygienic
- Classy stained
- Fast drip-off after pasteurization
- Versatile and customizable

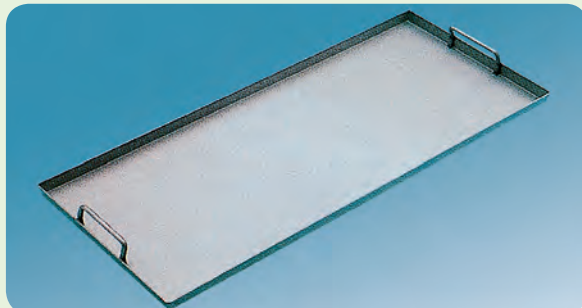
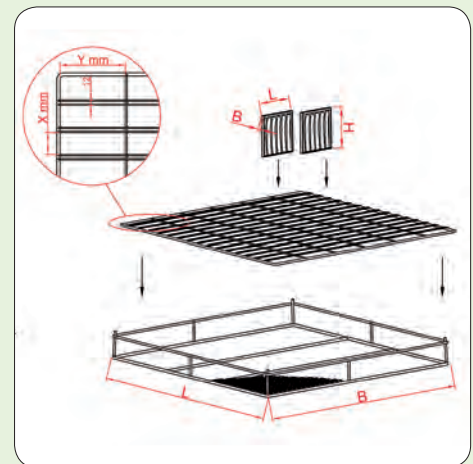
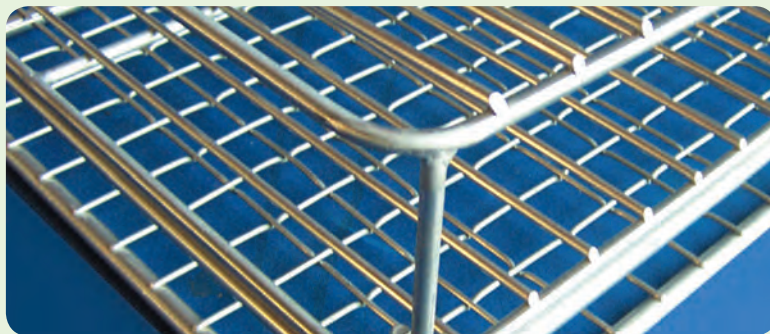


Grid dimensions: L x B in mm

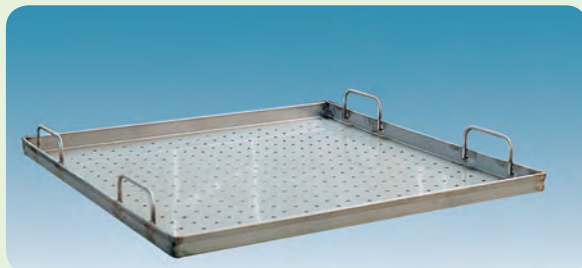
Dimensions of packings: L x B x H in mm

Division of cover: X x Y in mm

Weight of product: in kg



Sheet with 2 handle bars, unperforated, type BS-GU



Sheet with 4 handle bars, perforated, type BS-KG

Sheets, type BS

Made of stainless steel 1.4301

We tailor sheets and perforated grids for smoke trolleys on request!

- Loading capacity and dimensions on request
- 40mm revolving up-folding (or on request)
- Handle bars, height with bars approx. 100mm) or on request)
- Floor-perforation on request

Sheet, type BS

Type	Execution	Dimensions W x D x H in mm	Article- No:
BS-KU	small, unperforated	890 x T 430 x H 40/100	40000023
BS-GU	big, unperforated	990 x T 430 x H 40/100	40000024
BS-KG	small, perforated	890 x T 430 x H 40/100	40000021
BS-GG	big, perforated	990 x T 430 x H 40/100	40000022

We tailor made individual sheets and perforated sheets for smoke trolleys on request!