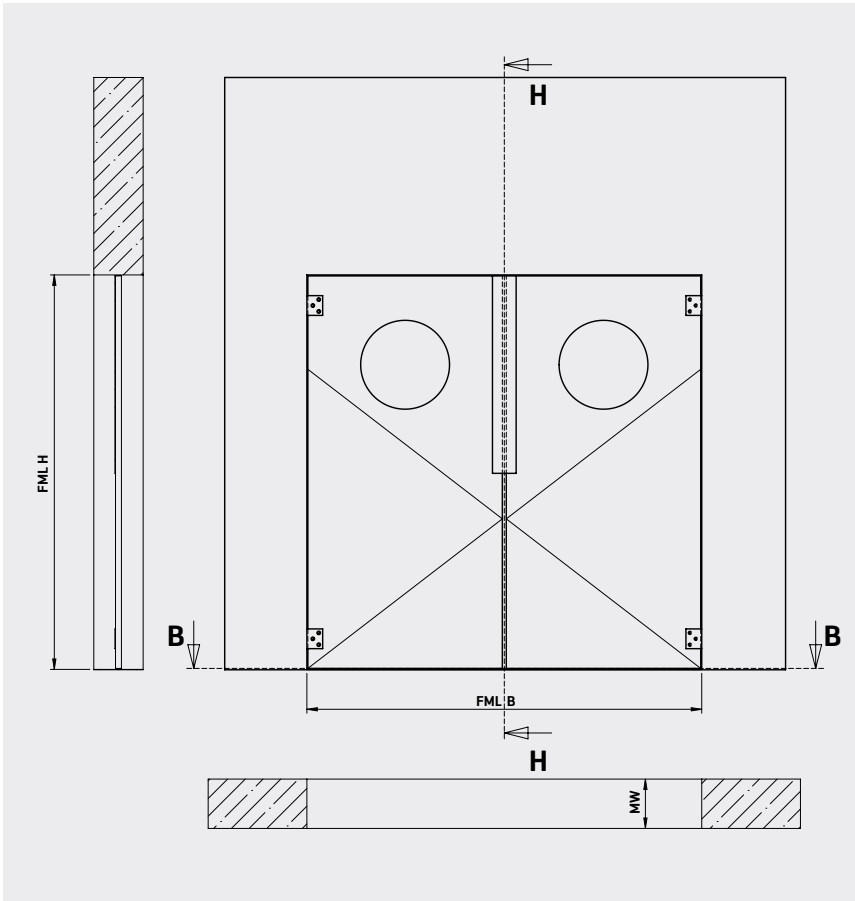


INQUIRY SHEET SWING DOOR SPECIAL PART 1/2

1 DIMENSIONS



Max. opening dimension 2400 x 2400 mm

Execution: single leaf double leaf

PWC W*: _____ mm

PWC H**: _____ mm

MW***: _____ mm

*Prefabricated wall clear width

**Prefabricated wall clear height

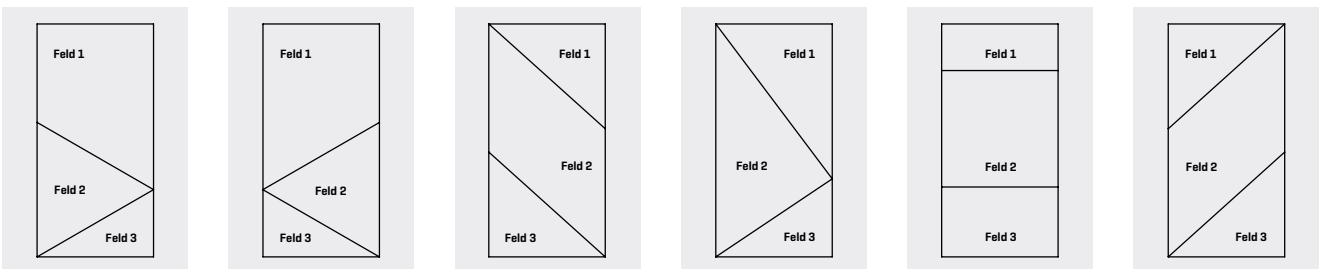
***Mouth width

2 COLOR + DESIGN

Single color [see color sample card or in the internet]

color: _____

Multi colored [please choose design]



Design 1

Design 2

Design 3

Design 4

Design 5

Design 6

Field 1 color: _____

Field 2 color: _____

Field 3 color: _____

INQUIRY SHEET SWING DOOR SPECIAL PART 2/2

3 ASSEMBLY

Brick wall sandwich wall frame on-site

Other: _____

4 OPTIONS

Multi-part U-profile frame Execution: HDPE stainless steel

Center overlap Variant: 1000 mm top edge finished floor continuous

1 window per leaf _____

2 windows per leaf (Ø = 360 mm) 3 windows per leaf (Ø = 500 mm)

NIEROLEN-deflectors per door leaf to protect door fittings in forklift traffic

We manufacture all swing doors according to your wishes!

- Fill out the complete inquiry sheet
- Either fax us the inquiry sheet or scan it in and send to us by mail:

F +49 (0) 23 54.94 45-299

M info@mohn-gmbh.com

COMPANY

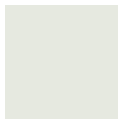
NAME

PHONE

MAIL

COLOR SAMPLE CARD

5 HDPE/ FOOD-SAFE



White/nature
RAL 9003



gray
RAL 7035



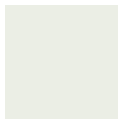
dust gray
RAL 7037



anthracite gray
RAL 7016



black
RAL 9004



Traffic white
RAL 9016



clear green
RAL 6037



mint green
RAL 6029



light blue
RAL 5012



blue
RAL 5015



Rapeseed yellow
RAL 1021



pastel orange
RAL 2003



tele magenta
RAL 4010



traffic red
RAL 3020



red-brown
RAL 3011



Granite light



sulfur yellow
RAL 1016



green
RAL 6032



tele gray
RAL 7046



mouse gray
RAL 7005

**EXPIRING COLORS.
AS LONG AS
THE STOCK LASTS.**

6 HDPE/ REGENERATE



Black
Regenerat



colored
Regenerat

INFO The real colors can differ from the representations shown here.