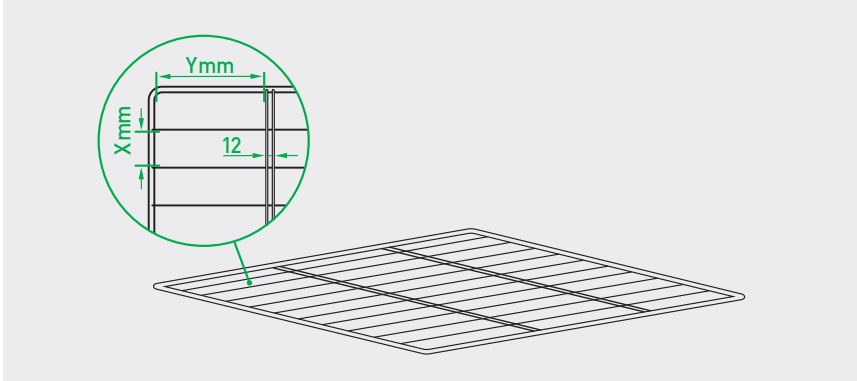


INQUIRY SHEET PASTEURIZATION- AND DRAINAGE GRID

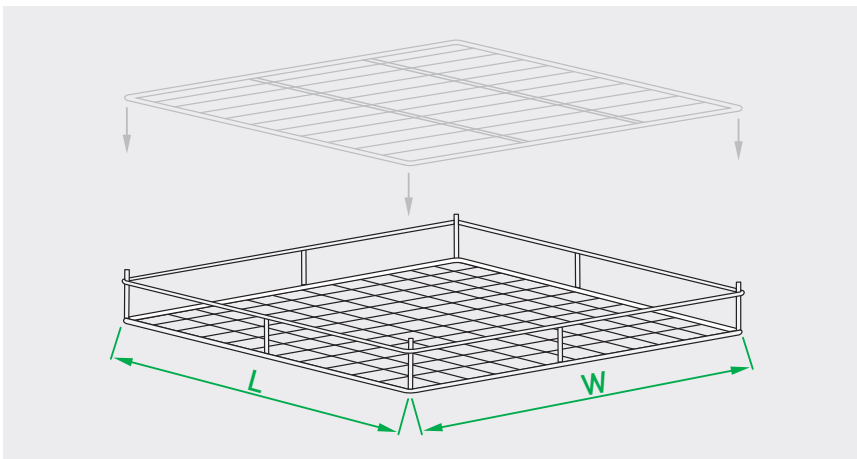
1 SPACE DIVISION COVER GRID



X _____ x Y _____ mm

Miscellaneous:

2 DIMENSIONS OF PASTEURIZATION- AND DRAINAGE GRID

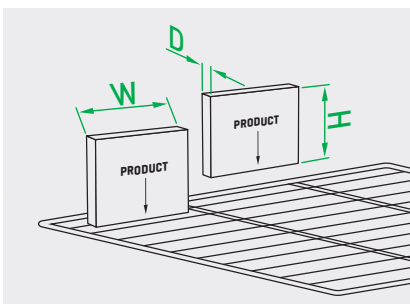


Length: _____ mm

Width: _____ mm

Miscellaneous:

3 SIZE OF PRODUCT PACKAGING



Width: _____ mm

Depth: _____ mm

Height: _____ mm

4 PRODUCT WEIGHT

_____ kg

We manufacture all grids according to your wishes.

- Fill out the complete inquiry sheet
- Either fax us the inquiry sheet or scan it in and send to us by mail:

P +49 [0] 23 54.94 45-299

E info@mohn-gmbh.com

COMPANY

NAME

PHONE

E-MAIL
