

## Check list: Electronical closing systems Part 1 of 2

### 1 CLIENT

Company: \_\_\_\_\_

\_\_\_\_\_

Name: \_\_\_\_\_

\_\_\_\_\_

Phone: \_\_\_\_\_

Mail: \_\_\_\_\_

### 2 OFFER / ORDER NO.\*

\_\_\_\_\_

\*if available

### 3 APPLICATION

Fixed cabinet allocation

Free cabinet allocation

Mixed operation

Time function

### 4 LOCKING MEDIUM

PIN code, permanently assigned

PIN code, free selectable

New transponder/chip

Existing transponder/chip

Magnet card

### 5 TRANSPONDER TYPES

MIFARE

MIFARE 1k Classic 1k / 4k

MIFARE DESFire

MIFARE DESFire [EV1 / EV2 / EV3]

HITAG

HITAG 1       HITAG  $\mu$

HITAG S       HITAG 2

LEGIC

LEGIC prime       LEGIC advant

Others: \_\_\_\_\_

\_\_\_\_\_

#### More applications on the transponder:

Time tracking

Access control

Z-doors

Parking

Others: \_\_\_\_\_

### 6 SECURITY AND PRIVACY

Logging functions permitted

Logging functions not permitted

Logging functions limited

### 7 LOCK ADMINISTRATION

Locally

Central

### 8 DATA EXCHANGE TRANSPONDER

Locally

Central

### 9 VARIETY FOR CABINET MANAGEMENT

On site

New

### 10 OPERATION MODE

Offline

Online

- Fill out the complete inquiry sheet
- Either fax us the inquiry sheet or scan it in and send to us by mail:

**F** +49 [0] 23 54.94 45-299

**M** [info@mohn-gmbh.com](mailto:info@mohn-gmbh.com)

## Check list: Electronical closing systems Part 2 of 2

---

### **11** CONTACT PERSON

---

Plant security/security:

---

Staff/works council:

---

IT:

---

Facility management:

---

### **12** SPECIAL REQUIREMENT FUNCTIONALITY

---

## Check list: Mechanical closing system

---

### 1 CLIENT

Company: \_\_\_\_\_

\_\_\_\_\_

Name: \_\_\_\_\_

\_\_\_\_\_

Phone: \_\_\_\_\_

Mail: \_\_\_\_\_

### 2 OFFER / ORDER NO.\*

\_\_\_\_\_

\*if available

- Fill out the complete inquiry sheet
- Either fax us the inquiry sheet or scan it in and send to us by mail:

**F** +49 [0] 23 54.94 45-299

**M** info@mohn-gmbh.com

### 3 APPLICATION

Fixed cabinet allocation |  Free cabinet allocation

### 4 LOCKING SYSTEM

Rotary latch for padlock

Security rotary latch for padlock

1000 closures |  6000 closures

Master key system without security certificate

Master key system with security certificate

Multiple locking systems |  Locking of the same type

Special closing circuits

### 5 EXECUTIONS

Locking tongue |  hook bolt

Three-bolt closure

Interchangeable core cylinder

Wet room version

Bracelet |  Bracelet numbering

Key brands

Mechanical PIN code system

Coin deposit lock |  Card deposit lock

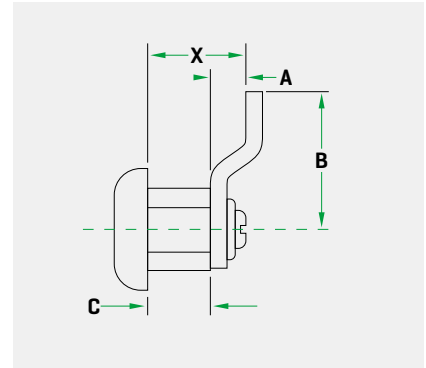
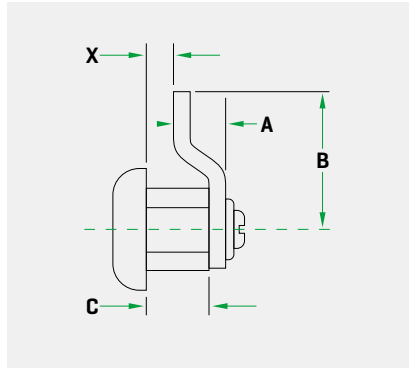
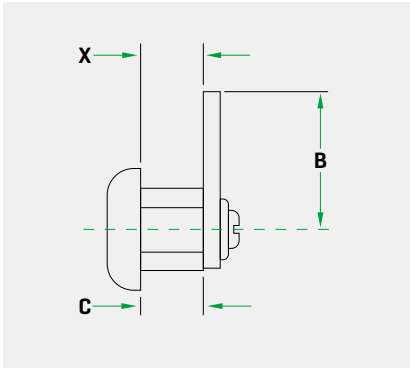
Lane key

Door hinge right |  Door hinge left |  Z-doors

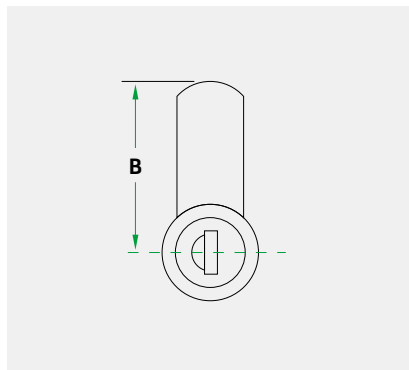
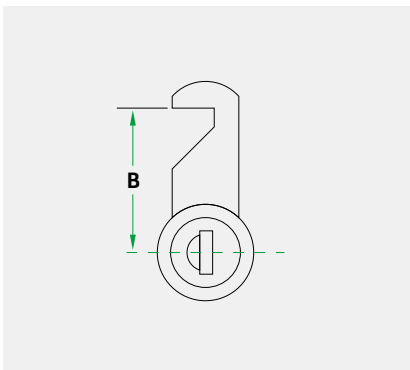
## Dimension sheet for replacing an existing rotary bolt / cylinder lock

**X** = Closing distance    **A** = Arch    **B** = Length Locking tongue    **C** = Housing / thread length

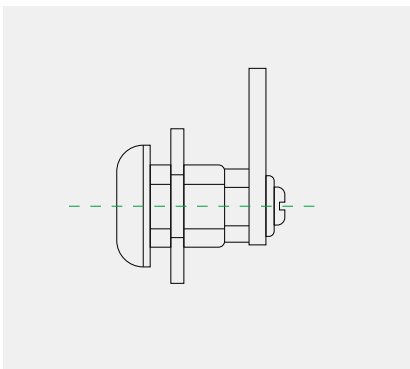
### 1 HOUSING / THREAD LENGTH



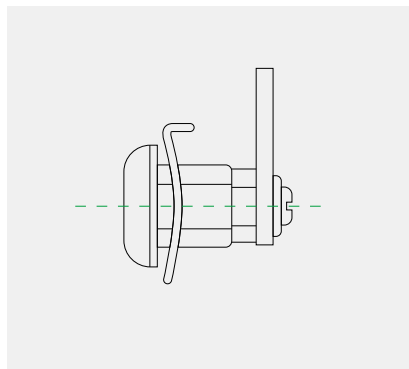
### 2 WORKING LENGTH HOOK LATCH / LATCH



### 3 FASTENING

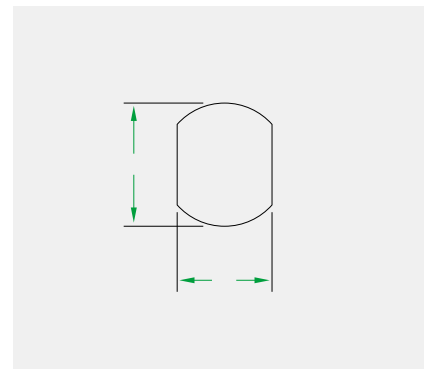


■ Nut with toothed washer



■ Spring clip

### 4 INSTALLATION OPENING DOOR



Door thickness: \_\_\_\_\_ mm